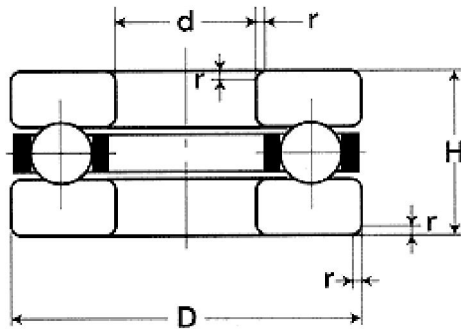


Metric thrust/axial bearing series Drucklager / Axiallager metrisch



Type	d	D	d 1	D1	H	Load Rating Cr(N)	Load Rating Cor(N)	Max.Speed	
								rpm	
								Grease	Oil
F2-6	2	6	2	6	3	100	78	11800	16000
F3-8M	3	8	3.2	7.8	3.5	600	480	11000	15000
F4-9M	4	9	4.2	8.8	4	800	520	8000	12000
F4-10M	4	10	4.2	9.8	4	658	580	6000	10000
F5-10M	5	10	5.2	9.8	4	950	830	5100	8100
F5-11M	5	11	5.2	10.8	4.5	988	880	5000	8000
F5-12M	5	12	5.2	11.8	4	988	880	5000	8000
F6-12M	6	12	6.2	11.8	4.5	1600	1255	5000	7000
F6-14M	6	14	6.25	13.8	5	1800	1588	4000	7000
F7-13M	7	13	7.2	16.8	4.5	1422	1255	4000	7000
F7-15M	7	15	7.2	14.8	5	2200	2000	3600	7100
F7-17M	7	17	7.2	16.8	6	2600	2256	3500	7000
F8-16M	8	16	8.2	15.8	5	2500	30001	4000	8000
F8-19M	8	19	8.2	18.8	7	3452	3000	3000	5000
F9-20M	9	20	9.2	19.8	7	3356	2999	2500	4500
F10-18M	10	18	10.2	17.8	5.5	2230	2721	2500	4500